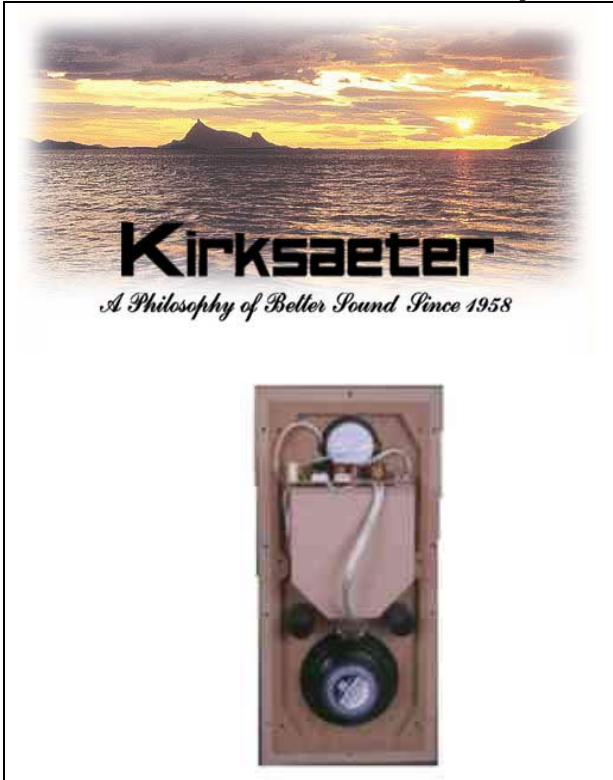


10 Good reasons to use the patent pend. KIRKSAETER Silverline Inwall speakers:



- 1: Get your speakers and cables out of your room!
- 2: Install them in the wall and improve your interior.
- 3: With Silverline Inwall you get High End Sound.
- 4: KIRKSAETER restore the strength of the wall, it is made stronger and improve the bass response.
- 5: Silverline Inwalls are tuned easily after instalment.
- 6: Silveline cabinet- and inwall models sounds equal.
- 7: The wall frame is paintable wood, no plastic.
- 8: The textile is easily changed into preferred fabric.
- 9: The system parts are templates for easy work
- 10: You may combine Silverline Inwalls and cabinets

The drawing below with text shows the drawing of a drywall. Studs are set up between floor and ceiling. On both sides there are 1/2" thick sheets of drywall fastened to the studs. The room between the plates may be filled with isolation material that is taken out in the size of the speaker. The speaker cable is mostly placed on the floor behind the floor molding and placed by a hole in the wall to the backside of the wall up to the speaker. The speaker has screw terminals for correct connecting either as 2-channel or as bi-wiring.

The system that is delivered assembled in its packing box to avoid use of plastic packing material that is hardly able to recycle. Please disassemble it and store the MDF white decoration plate and the white textile frame in the box until the job is done. If you prefer you may repaint the wooden frame in selected color; there is no plastic to worry about. The white textile is fastened with hot glue. By use of a soldering gun it comes off easily and you may glue your own selected textile for perfect colour match to the wall.

The baffle is the template for the hole in the wall, the two part fixing frame with assembly pins is the template to place in this hole for drilling the fixing screw holes. These two MDF pieces are screwed to the wall one the inside, the baffle from the outside, and now the wall is more stable than before! Correspondingly, you get rid of wall rattling and distortions. The bass reproduction is improved by the better stability and you get the High End sound as from the cabinet models. If the air volume of the wall is very large, close one or two bass reflex openings and retune to an infinitive baffle system - that's all!

<p>Inwall construction consists of 4 parts:</p> <p><u>Baffle with all drivers, also used as template for the hole:</u> Width x Depth x Height in cm: 22.4 x 0.15 x 51.5 Width x Depth x Height In inch: 8 13/16 x 5/8 x 20 1/4</p> <p><u>Baffle and fixing frame press the wall by use of threaded screws.</u> <u>2 part fixing frame for installation on the backside of the wall, sizes</u> Width x Depth x Height in cm: 26.5 x 10 x 55.5 Width x Depth x Height In inch: 10 3/8 x 4.0 x 21 7/8</p> <p><u>MDF White decoration frame, may be repainted as needed:</u> Width x Depth x Height in cm: 27.2 x 0.1 x 56.3 Width x Depth x Height In inch: 10 5/8 x 3/8 x 22 1/8 White textile inner cover frame: textile easy to change. Connection terminal: Screw terminal, Biwiring option Internal wiring: High End silver plated cable</p> <p><u>Depth of system is measured including baffle.</u></p>	<table border="0"> <tr> <td>TECHNICAL DATA</td> <td>SILVER LINE 120 INWALL</td> </tr> <tr> <td>Type of speaker:</td> <td>Floor standing column</td> </tr> <tr> <td>Music peak power:</td> <td>200 Watts peak</td> </tr> <tr> <td>Music impulse power:</td> <td>120 Watts</td> </tr> <tr> <td>Continuous power rating, DIN:</td> <td>70 Watts</td> </tr> <tr> <td>Efficiency 1 Watt, 1 Meter</td> <td>90 dB</td> </tr> <tr> <td>Frequency response:</td> <td>30 - 25 000 Hz</td> </tr> <tr> <td>Recommended amplifier:</td> <td>20 - 70 Watts</td> </tr> <tr> <td>Crossover Frequencies:</td> <td>500/3500 Hz, double 3 way</td> </tr> <tr> <td>Impedance:</td> <td>4 - 8 Ohms</td> </tr> <tr> <td>Woofer, long excursion:</td> <td>19 cm coated fiber cone</td> </tr> <tr> <td>Midrange:</td> <td>19 cm coated fiber cone</td> </tr> <tr> <td>Tweeter:</td> <td>25 mm soft metal Dome</td> </tr> <tr> <td>Weight net</td> <td>6.5 kg, 15 Lbs</td> </tr> </table>	TECHNICAL DATA	SILVER LINE 120 INWALL	Type of speaker:	Floor standing column	Music peak power:	200 Watts peak	Music impulse power:	120 Watts	Continuous power rating, DIN:	70 Watts	Efficiency 1 Watt, 1 Meter	90 dB	Frequency response:	30 - 25 000 Hz	Recommended amplifier:	20 - 70 Watts	Crossover Frequencies:	500/3500 Hz, double 3 way	Impedance:	4 - 8 Ohms	Woofer, long excursion:	19 cm coated fiber cone	Midrange:	19 cm coated fiber cone	Tweeter:	25 mm soft metal Dome	Weight net	6.5 kg, 15 Lbs
TECHNICAL DATA	SILVER LINE 120 INWALL																												
Type of speaker:	Floor standing column																												
Music peak power:	200 Watts peak																												
Music impulse power:	120 Watts																												
Continuous power rating, DIN:	70 Watts																												
Efficiency 1 Watt, 1 Meter	90 dB																												
Frequency response:	30 - 25 000 Hz																												
Recommended amplifier:	20 - 70 Watts																												
Crossover Frequencies:	500/3500 Hz, double 3 way																												
Impedance:	4 - 8 Ohms																												
Woofer, long excursion:	19 cm coated fiber cone																												
Midrange:	19 cm coated fiber cone																												
Tweeter:	25 mm soft metal Dome																												
Weight net	6.5 kg, 15 Lbs																												



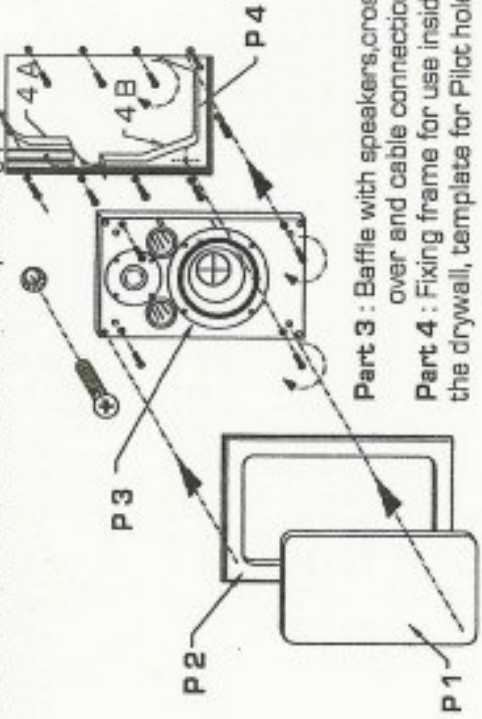
Please read this instruction completely before you start your work.

Step 1 : Unpack system.

Step 2 : Disassemble all parts

Part 1 : Textile Front grill with snap-in fixing pins.

Part 2 : Front exterior frame with snap-in fixing pins.



Part 3 : Baffle with speakers, crossover and cable connections.

Part 4 : Fixing frame for use inside the drywall, template for Pilot holes.

Step 5

Assemble the fixing frame (Parts 4A, 4B) into one piece. Place the fixing frame onto the outside of the drywall hole and use it as a template to drill 10 ea. pilot holes 3/16" or 4,5 mm.

Step 6

Remove the frame and widen the pilot holes by using a 1/4" or 7 mm drill.

Step 7

Use a countersink tool to make space in the drywall for the heads of the 10 screws. The conic screw heads must be nearly flat with the drywall.

Step 8

Apply construction glue on the front side of the lower part of the fixing frame 4 B. Place it in the lower part of the hole in the drywall, and fasten gently the first 5 fixing screws from the outside of the drywall.

Step 9

Put some glue on the 2 position pins on 4 B.

Step 10

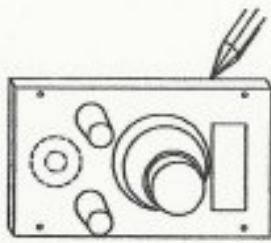
Apply construction glue on the front side of the upper part of the fixing frame 4 A and the 2 meeting ends.

Step 11

Place the upper part of the fixing frame 4 A from the inside of the drywall on the 2 pins coming out of frame part 4 B. Press part 4 A against 4 B till there is no distance between 4 A and 4 B. Fasten gently the 5 fixing screws of 4 A from the outside. Now make a final fastening of the 10 fixing screws. Control that all heads of the screws are nearly flat with the outside of the drywall. Let the glue dry up. By using glue and screws the assembly frame and the cut out edge of the drywall become a one-piece construction that is stronger as then before. The glue has made it airtight. If you have a problem with the position of a screw, just unscrew and widen the hole, then screw into position.

Step 3

Use Part 3 as template, mark the correct position on the wall where to install the speaker system.



Step 4

Cut or saw the hole into the drywall.

